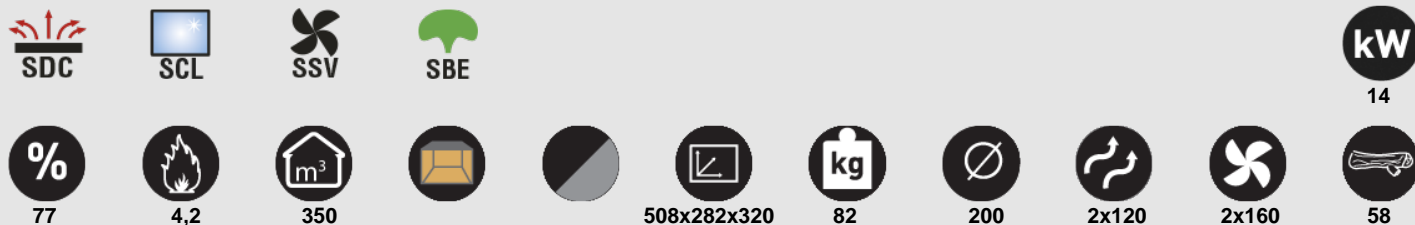


FLORIDA

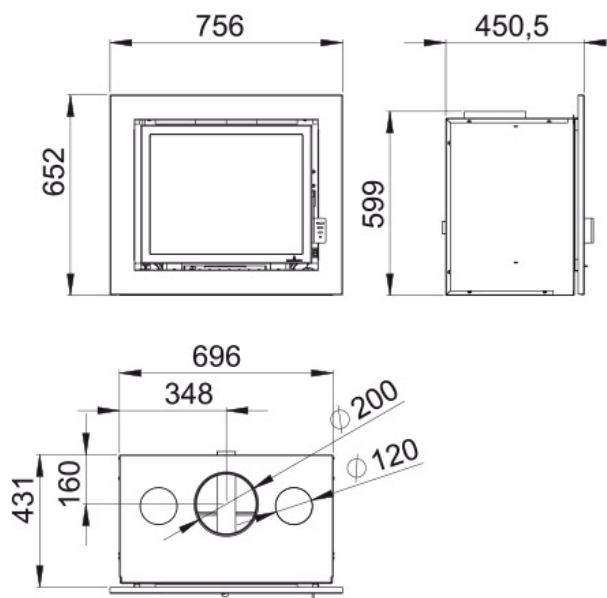


MARCO ESTÁNDAR DE SERIE
STANDARD FRAME
MOLDURA STANDART DE SÉRIE
CORNICE DI SERIE STANDARD
CADRE STANDARD DE SÉRIE



Features

- Double Combustion System
- Clean Glass System
- Security System in Fans
- Low Emissions System
- Heating power: 14kw
- Efficiency (%): 77%
- Consumption (kg/h): 4,2kg/h
- Heating capacity (m3): 350m3
- Vermiculite inside
- Manufactured in cast-iron and sheet
- Weight (kg): 82kg
- Smoke exit tube diameter (mm): 200mm
- Air channel (diameter and exit tube number): 2x120
- Forced ventilation: 2x160
- Useful chamber measures: 508x282x320mm
- Maximum logs size (cm): 58cm



Given the continued improvement of our products and improving our manufacturing process, size, aesthetics and product specifications are subject to change without prior notice from our company.

www.bronpi.com

