

ALPES HYDRO

GESTIÓN DE CALEFACCIÓN Y ACS.
MANAGEMENT OF HEATING AND SANITARY HOT WATER.
GESTÃO DO AQUECIMENTO CENTRAL E DAS AQS.
GESTIONE DI RISCALDAMENTO E ACQUA CALDA SANITARIA.
GESTION DU CHAUFFAGE ET D'EAU CHAUDE SANITAIRE.



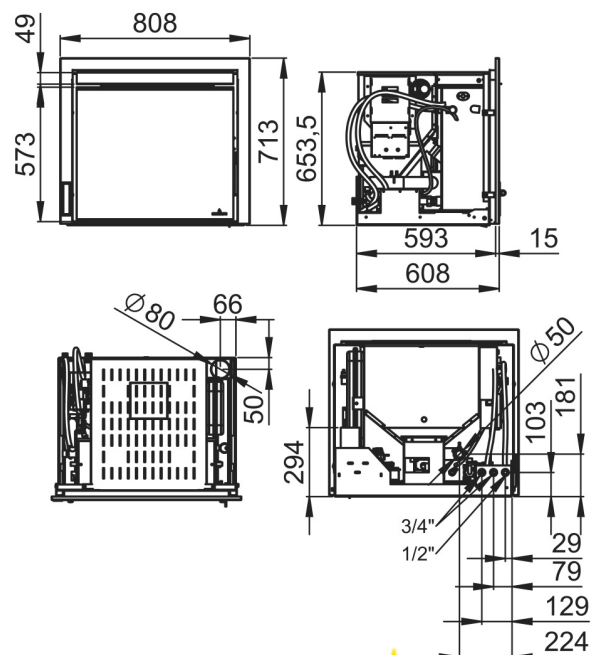
PUERTA EN CRISTAL VITROCERÁMICO SERIGRAFIADO COLOR NEGRO.
SCREEN-PRINTED BLACK GLASS DOOR.
PORTA DE VIDRO VITROCERÁMICO SERIGRAFADA COR PRETA.
PORTA IN VETRO CERAMICO SERIGRAFATO NERO.
PORTE EN VITRE VITROCÉRAMIQUE SÉRIGRAPHIÉE NOIR.



12,8-5	1,6-1	11,2-4,1	92-96	3-1,1	70-300	320	34		11,3-31	14
144	80	50	1,5	2,5		8	80			112*
80*	KIT WIFI/VAL-02									

Features

- Oasys Plus
- Double Chamber System
- Clean Glass System
- Load Level Sensor
- Modulation System
- Model designed for easy access to maintenance service
- Model Compatible with Kit Wifi
- Programmable
- Power max: 14kw
- Power max-min: 12,8-5kw
- Power transferred to the air max-min: 1,6-1kw
- Power transferred to the water max-min: 11,2-4,1kw
- Efficiency : 92-96%
- Consumption max-min : 3-1,1kg/h
- Electric power : 70-300W
- Heating capacity: 320m3
- Tank capacity: 34 kg
- Metallic interior
- Cast-iron burner
- Autonomy (min-max): 11,3-31h



Given the continued improvement of our products and improving our manufacturing process, size, aesthetics and product specifications are subject to change without prior notice from our company.

www.bronpi.com



Features

- Weight: 144kg
- Smoke exit tube diameter: 80mm
- Air inlet tube diameter: 50mm
- Working pressure: 1,5bar
- Working maximum pressure: 2,5bar
- Remote control or switchboard
- Closed expansion vessel: 8 l
- Maximum service temperature: 80°C
- Valve for drinking water
- Circulating pump
- Underfloor heating: 112*(m²)
- N° radiator elements: 80*
- Security system: S2. Safety thermostat pellet, Safety thermostat water, Air flow switch, Safety valve 3 bar, Pressure setting valve
- Compatible accessories not included: KIT WIFI/VAL-02
- * The calculation of radiators and underfloor heating has been determined according to normal conditions of a house insulation, located in a temperate zone. Aluminium radiator elements have been considered with a height of 60cm and a temperature difference of 50°, 120 kcal/element. Check characteristics (power) of the radiator.