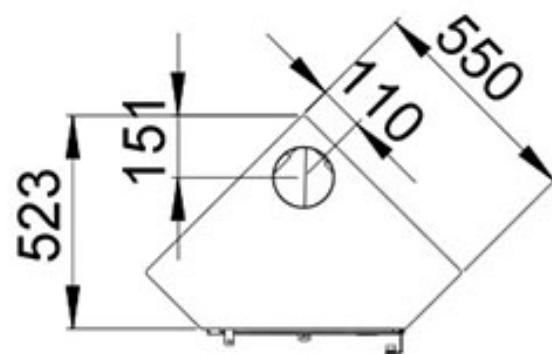
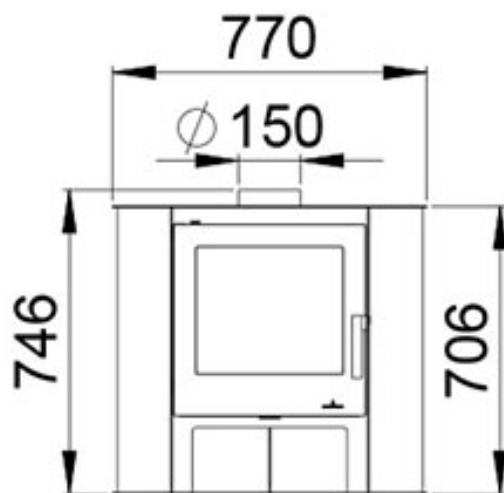




9

## Features

- Double Combustion System
- Clean Glass System
- Heating power: 9kw
- Efficiency (%): 80%
- Consumption (kg/h): 2,2kg/h
- Heating capacity (m3): 225m3
- Vermiculite inside
- Manufactured in cast-iron and steel
- Weight (kg): 66kg
- Smoke exit tube diameter (mm): 150mm
- Useful chamber measures: 400x295x400mm
- Maximum logs size (cm): 43cm



Given the continued improvement of our products and improving our manufacturing process, size, aesthetics and product specifications are subject to change without prior notice from our company.

[www.bronpi.com](http://www.bronpi.com)

