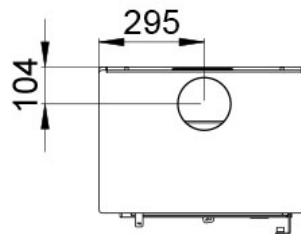
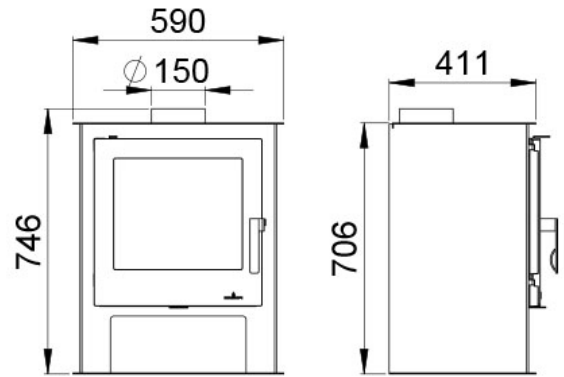




11

Features

- Double Combustion System
- Clean Glass System
- Heating power: 11kw
- Efficiency (%): 80%
- Consumption (kg/h): 3,2kg/h
- Heating capacity (m3): 275m3
- Vermiculite inside
- Manufactured in cast-iron and sheet
- Weight (kg): 72kg
- Smoke exit tube diameter (mm): 150mm
- Useful chamber measures: 400x295x328mm
- Maximum logs size (cm): 47cm



Given the continued improvement of our products and improving our manufacturing process, size, aesthetics and product specifications are subject to change without prior notice from our company.

www.bronpi.com

