

# SENA PLUS



SCL



SBE



12,5



79



3,8



313



78



150



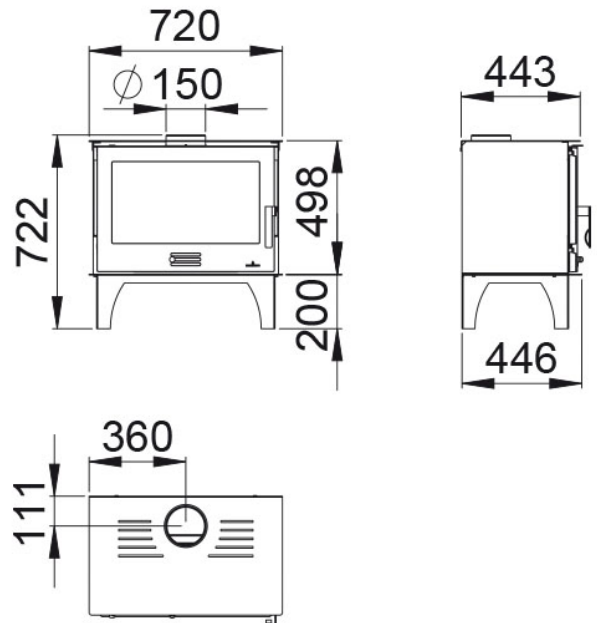
585x250x304



60

## Features

- Clean Glass System
- Low Emissions System
- Heating power: 12,5kw
- Efficiency (%): 79%
- Consumption (kg/h): 3,8kg/h
- Heating capacity (m3): 313m3
- Vermiculite inside
- Manufactured in cast-iron and steel
- Weight (kg): 78kg
- Smoke exit tube diameter (cm): 150cm
- Useful chamber measures: 585x250x304mm
- Maximum logs size (cm): 60cm



Given the continued improvement of our products and improving our manufacturing process, size, aesthetics and product specifications are subject to change without prior notice from our company.

[www.bronpi.com](http://www.bronpi.com)



©Bronpi Calefacción, S.L. reserves all rights to the images that appear in this document. You may not reproduce or distribute part or all of the photographs and as the text. Both the brand as distinctive symbols are the exclusive property of the company. Violators will be prosecuted according to law.