

MURANO-L



85



3,9



350



610x301x417mm



208



200



610x333x404mm

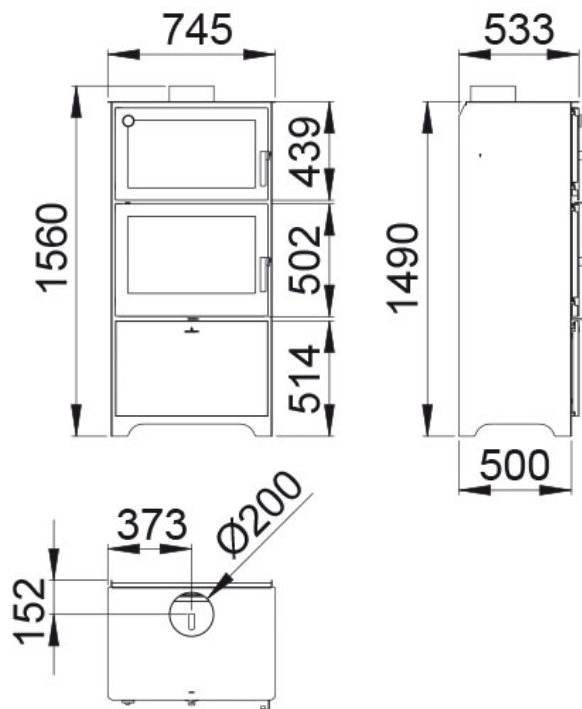


62

14

Features

- Double Combustion System
- Clean Glass System
- Surround System Oven
- Heating power: 14kw
- Efficiency (%): 85%
- Consumption (kg/h): 3,9kg/h
- Heating capacity (m3): 350m3
- Vermiculite inside
- Manufactured in cast-iron and sheet
- Weight (kg): 208kg
- Smoke exit tube diameter (mm): 200mm
- Useful chamber measures: 610x301x417mm
- Useful chamber measures: 610x333x404mm
- Maximum logs size (cm): 62cm



Given the continued improvement of our products and improving our manufacturing process, size, aesthetics and product specifications are subject to change without prior notice from our company.

www.bronpi.com

