

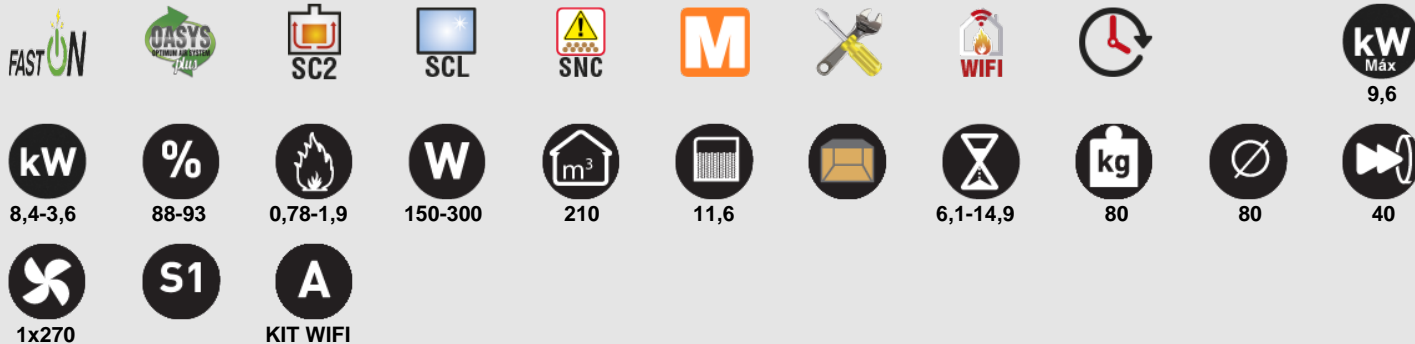
BRUNO-SLIM



PUERTA EN CRISTAL VITROCERÁMICO SERIGRAFIADO COLOR NEGRO.
SCREEN-PRINTED BLACK GLASS DOOR.
PORTA DE VIDRO VITROCERÁMICO SERIGRAFADA COR PRETA.
PORTA IN VETRO CERAMICO SERIGRAFATO NERO.
PORTE EN VITRE VITROCÉRAMIQUE SÉRIGRAPHIÉE NOIR.

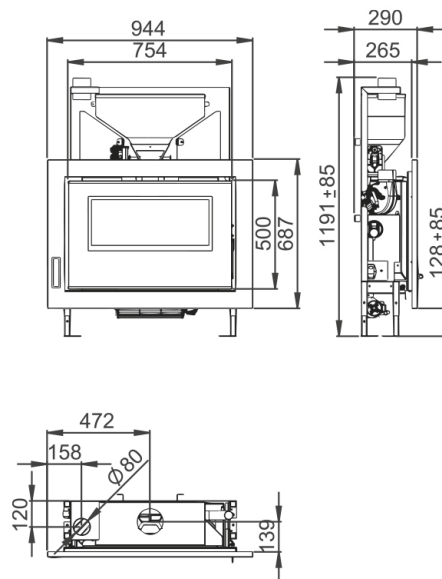


26,5CM



Features

- FastOn
- Oasys Plus
- Clean Glass System
- Double Chamber System
- Load Level Sensor
- Modulation System
- Model designed for easy access to maintenance service
- Model Compatible with Kit Wifi
- Programmable
- Power max: 9,6kw
- Power min-max: 3,6-8,4kw
- Efficiency (%): 88-93%
- Consumption min-max. (kg/h): 0,78-1,9kg/h
- Electric power (W): 150-300W
- Heating capacity (m3): 150m3
- Tank capacity (Kg): 11,6 kg
- Vermiculite interior
- Autonomy (h) (min-max): 6,1-14,9h
- Weight (kg): 80kg
- Smoke exit tube diameter (mm): 80mm
- Air inlet tube diameter (mm): 40mm
- Forced ventilation: 1x270
- S1
- Compatible accesories not included: KIT WIFI



Given the continued improvement of our products and improving our manufacturing process, size, aesthetics and product specifications are subject to change without prior notice from our company.

www.bronpi.com

