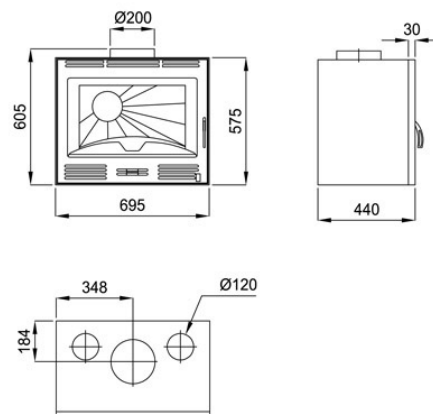




Features

- Double Combustion System
- Clean Glass System
- Security System in Fans
- Heating power: 13kw
- Efficiency (%): 71%
- Consumption (kg/h): 3,2kg/h
- Heating capacity (m3): 325m3
- Cast-iron inside
- Manufactured in cast-iron
- Weight (kg): 140kg
- Smoke exit tube diameter (mm): 200mm
- Forced ventilation: 2x160
- Clean glass system
- Useful chamber measures: 596x358x280mm
- Maximum logs size (cm): 52cm
- Compatible accesories not included: M-3; M-4; M-5; M-6



Given the continued improvement of our products and improving our manufacturing process, size, aesthetics and product specifications are subject to change without prior notice from our company.

www.bronpi.com

